

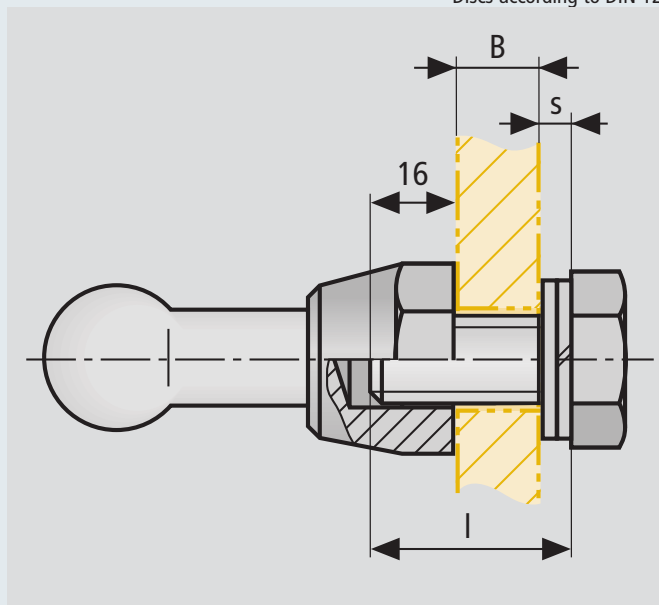
## Installation Devices

## SAFETY EQUIPMENT

### For fixed ball and earthing points EARTHING AND SHORT-CIRCUITING DEVICES

- Hexagon bolt for installation of busbar connections according to DIN 43673 Part 1
- Spring-loaded pressure plate for installing M12 or M16 fixed points on aluminium busbars

Hexagon bolts according to DIN 933  
Spring washers according to DIN 128  
Discs according to DIN 125



Determination of the required bolt length l.

#### Technical Data

Hexagon bolts	StSt A2-70 (DIN 933)
Spring washers	StSt A2-70 (DIN 128)
Discs	StSt A2-70 (DIN 125)
Pressure plate	Highly resistant Al alloy
Tightening torque	M12: 80 Nm; M16: 150 Nm

#### Determination of bolt length l

$$l \text{ (mm)} = B + s + 16$$

Important! Required bolt length < l

l = Bolt length

B = Thickness of busbar

s = Thickness of spring washer and disc



Type	Dimensions	Part No.
<b>A Installation Device – Hexagon Bolts</b>		
SKS M12 25 V2A	M12 x 25 mm	561 925
SKS M12 30 V2A	M12 x 30 mm	561 930
SKS M12 35 V2A	M12 x 35 mm	561 935
SKS M16 30 V2A	M16 x 30 mm	561 931
<b>B Installation Device – Spring Washers</b>		
FR A12 V2A	A12 (s = 2.4)	524 912
FR A16 V2A	A16 (s = 2.8)	524 913
<b>C Installation Device – Discs</b>		
SCH A13 V2A	A13 (s = 2.4)	525 912
SCH A17 V2A	A17 (s = 3.0)	525 916
<b>D Square spring-loaded Pressure Plate</b>		
For reliable contact and permanent installation of fixed ball points on aluminium busbars. Pressure plates must be installed on both ends of the busbar.		
DP 40 40 B13 AL	M12, 40 x 40 x 6 mm	525 001
DP 50 50 B17 AL	M16, 50 x 50 x 8 mm	525 002

Other lengths are available on request.

## SAFETY EQUIPMENT

## EARTHING AND SHORT-CIRCUITING DEVICES

## Storage Devices

## For earthing and short-circuiting devices and earthing rods



Storage device for earthing and short-circuiting devices and earthing rods.

- Wall-mounted
- For easy and safe storage of earthing and short-circuiting devices and earthing rods Ø30 or 43 mm



Type	For rod Ø	Material	Part No.
------	-----------	----------	----------

#### A Storage Device

For earthing and short-circuiting devices and earthing rods of any length  
Hole distance 424 mm, holes Ø7 mm

HV EKV ES30	30 mm	steel	700 000
HV EKV ES40	43 mm	steel	700 002

#### B Storage Device

For earthing and short-circuiting devices and earthing rods with lengths up to 1.5 m  
Hole distance 104 mm, holes Ø7 mm

HV EKV ES30 1500	30 mm	steel	700 003
------------------	-------	-------	---------

